



QWARTZ 2.0

MODULABLE LED SCREEN - FINE PITCH





OVERVIEW

Designed to get the best of both the QWARTZ and the GRANITE, the QWARTZ 2.0 is the newest addition to our indoor LED cabinet range. With fine pixel pitch, unprecedented modularity, and a competitive value for money, this product is going to be the new standard for indoor applications. Its lightweight and slim profile make this product ideal for indoor wall applications and can be integrated swiftly and with ease.



APPLICATION
Indoor



INGRESS PROTECTION
IP30



PIXEL PITCH
**P1.5 P1.9 P2.5 P2.6 P2.9
P3.1 P3.9 P4.8 P5.9**



DISPLAY AREA (W x H)
**250 x 500 / 250 x 750 /
250 x 1000 / 500 x 500 /
500 x 750 / 500 x 1000 mm**



BRIGHTNESS
≤ 800 NITS @5volts



WEIGHT
**3.5 - 5 - 6.4 - 6.5
8.5 - 11.2 kg/cabinet**



MATERIAL
Die-casting aluminum



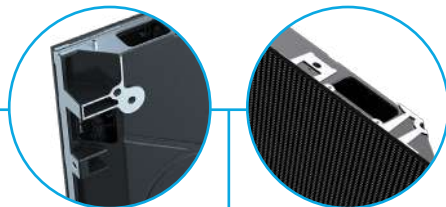
MAINTENANCE
Front maintenance



FEATURES

Six different cabinet sizes are available and are all compatible with one another. These cabinets can be installed both vertically and horizontally.

CABINET LOCKING & CONNECTION ON ALL FOUR SIDES FOR MODULARITY



DIE-CASTING ALUMINUM FRAME



WALL FIXATION HOLE

45° BEVELLING OPTION

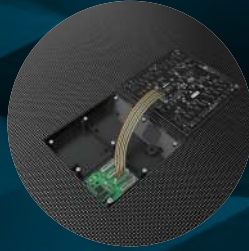
FINE PIXEL PITCH

With fine pixel pitch ranging from P1.5 to P5.9 and Black Face SMD LEDs, the QWARTZ 2.0 can display very high-quality visual content. This feature makes

it ideal for numerous applications, such as conference rooms, briefing screens, museums, or even leisure screens, etc.



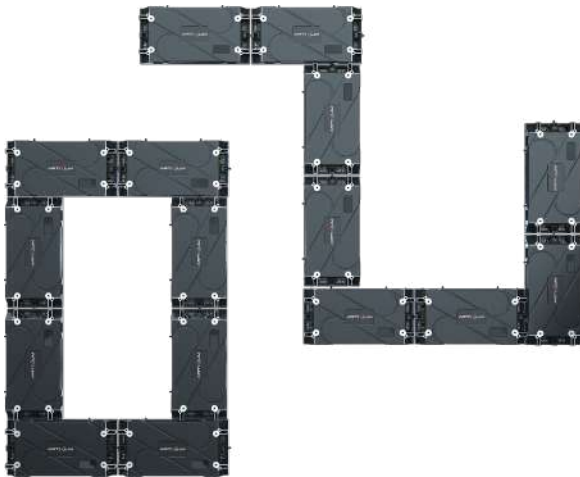
45° BEVELLED CABINETS



FRONT ACCESS
MAGNETIC MODULES



HANGING BARS AVAILABLE



MODULAR APPLICATION

The QWARTZ 2.0 cabinets are available in 6 different sizes, compatible with each other, ranging from the 250 x 500 mm ribbon to the big 500 x 1000 mm cabinet. These cabinets can be integrated vertically or horizontally, and offer a wide range of possible applications. The only real limits are your project's ambition and creativity.

90° APPLICATIONS

All the QWARTZ 2.0 cabinets can be bevelled at 45° on the sides in order to allow perfect 90° applications. This feature even allows you to install your cabinets at a curve, given that the receiving structure is built accordingly. There also are 500 x 500 mm cabinets bevelled on all four sides, giving you the opportunity to create entire LED cubes. We implemented this feature to make sure that the QWARTZ 2.0 will fit almost any project, regardless of its complexity.



FRONT MAINTENANCE

The QWARTZ 2.0 modules are accessible from the front thanks to their magnetic fixation. With the help of a suction tool, replacing a module, or accessing the cabinet's internal parts can be done swiftly and with ease by one technician.



TOUCH REACTIVE OPTION

The P2.6 version of the QWARTZ 2.0 is available with SMD1010 LEDs and a touch-reactive covering, giving you the option to get a fully interactive LED screen. This option is very useful for professional use, as it allows you to conceive a tailored giant touchpad for meetings, conferences, etc.

HIGH BRIGHTNESS OPTION

The P2.6, P2.9 & P3.1 versions of the QWARTZ 2.0 can be equipped with high-brightness LEDs (SMD1516 or SMD1921) to better suit applications where your screen might be exposed to direct sunlight. This option allows you to fit your screen in any given indoor space, notably with a lot of windows, all the while guaranteeing excellent visibility.





FLEXIBLE MODULES

For the most creative application projects, we can provide flexible modules specially designed to fit any curve imaginable. Compatible with all QWARTZ 2.0 cabinets, these modules allow you to answer any of the most demanding tenders without changing anything to your LED screen's electrical and data configuration. We can also provide tailored backshells to ease the installation process and enhance your modules' ventilation and physical integrity.



Die-casting aluminum backshell with ventilation grids, kingpins, and wall fixation holes



Magnetic flexible modules can be curved up to 30° each (concave or convex), compatible with all QWARTZ 2.0 cabinets



TECHNICAL SPECIFICATIONS



		INDOOR								
Product Parameters	Unit	1.5	1.9	2.5	2.6	2.9	3.1	3.9	4.8	5.9
Pixel Pitch	mm	1,56	1,95	2,50	2,60	2,98	3,13	3,91	4,81	5,95
LED		SMD1212 3in1 Black Face (SMD1515 opt.)		SMD1515 3in1 Black Face (SMD2020 opt.)		SMD2020 3in1 Black Face				
Application		Media (retail)								
Ingress Protection	IP	IP30								
Brightness	cd/m²	≤ 800 Nits @5volts			≤ 800 Nits @5volts (≤ 3000 Nits opt.)			≤ 800 Nits @5volts		
Color Temperature after calib (adjustable)	deg. K	6500								
Viewing Angle (50% brightness)	deg.	140 H / 140 V								
Cabinet Size (WxHxD)	mm	250 x 500 x 47 / 250 x 750 x 47 / 250 x 1000 x 47 / 500 x 500 x 47 / 500 x 750 x 47 / 500 x 1000 x 47								
Display area (WxH)	mm	250 x 500 / 250 x 750 / 250 x 1000 / 500 x 500 / 500 x 750 / 500 x 1000								
Module Size (WxHxD)	mm	250 x 250								
Pixel Matrix Per Cabinet (WxH)	px	160 x 320	128 x 256	100 x 200	96 x 192	84 x 168	80 x 160	64 x 128	52 x 104	42 x 84
		160 x 480	128 x 384	100 x 300	96 x 288	84 x 252	80 x 240	64 x 192	52 x 156	42 x 126
		160 x 640	128 x 512	100 x 400	96 x 384	84 x 336	80 x 320	64 x 256	52 x 208	42 x 168
		320 x 320	256 x 256	200 x 200	192 x 192	168 x 168	160 x 160	128 x 128	104 x 104	84 x 84
		320 x 480	256 x 384	200 x 300	192 x 288	168 x 252	160 x 240	128 x 192	104 x 156	84 x 126
		320 x 640	256 x 512	200 x 400	192 x 384	168 x 336	160 x 320	128 x 256	104 x 208	84 x 168
Pixel Matrix Per Module (WxH)	px	160 x 160	128 x 128	100 x 100	96 x 96	84 x 84	80 x 80	64 x 64	52 x 52	42 x 42
Pixel Density	px/m²	409600	262144	160000	147456	112896	102400	65536	43264	28224
Weight of cabinet	kg	3.5 (250 x 500) / 5 (250 x 750) / 6.4 (250 x 1000) / 6.5 (500 x 500) / 8.5 (500 x 750) / 11.2 (500 x 1000)								
Cabinet Material		Die-casting aluminum								
Maintenance Mode		Front								
Mask specification		95% Plastic + 5% Fiber / Clips (no screws) / No shaders								
Contrast Ratio		High								
Grey scale (linear)	bit	16								
Brightness control	bit	16								
Processing depth	bit	16								
Color		281 Trillions								
Display Refresh Rate	Hz	3840								
Operation Power	V	AC85-230V								
Max. Power Consumption	W/m²	420								
Average Power Consumption	W/m²	160								
Control Mode		Synchronous / Asynchronous								
Video Frame Rate	Hz	50/60Hz								
Input Types Supported		DVI / SDI / HDMI								
3D ready (optional)		Yes								
Calibration		Yes								
Lifetime (50% brightness)	h	50000								
Operating Humidity Range		10-90%								
Operating Temperature Range		0°C / +40°C								
Screen Uniformity Correction		Yes								
Certification		CE / FCC / ETL								
Available options					Touch reactive (LED SMD1010) High brightness LED (SMD1516)		High brightness LED (SMD1921)			
Compatibility		All cabinet sizes are compatible with one another / A cabinet can be installed vertically or horizontally								

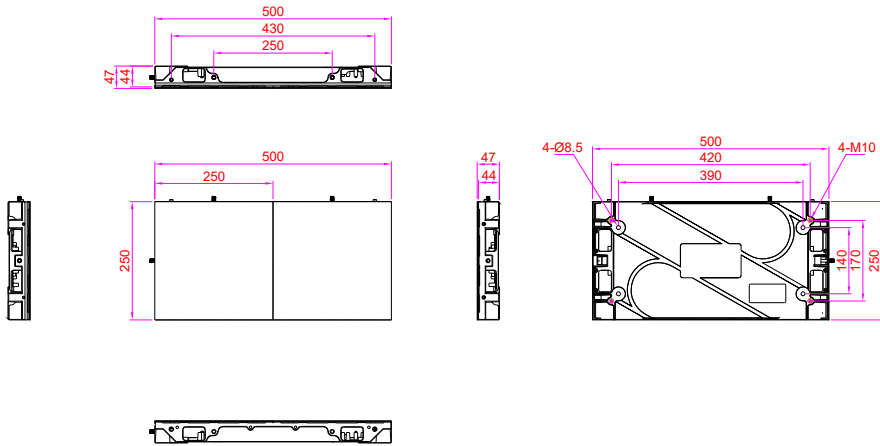


Information and design in this leaflet are subject to Artixium France SAS copyright. No material from this leaflet can be used in any context without ARTIXIUM approval. Designs and specifications are subject to change without notice. All images of ARTIXIUM products components and accessories used here are also subject to change without notice. All information presented herein is based on the latest information at the time of publishing. Actual results of performance and other specifications may differ or vary with production models and may depend on selected options and model ranks.

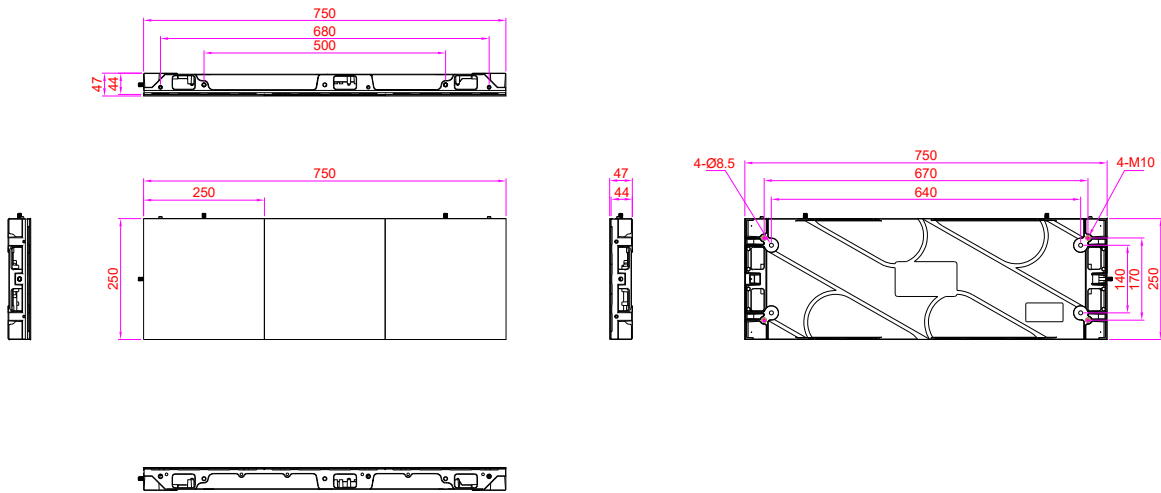


TECHNICAL DRAWINGS 1/3

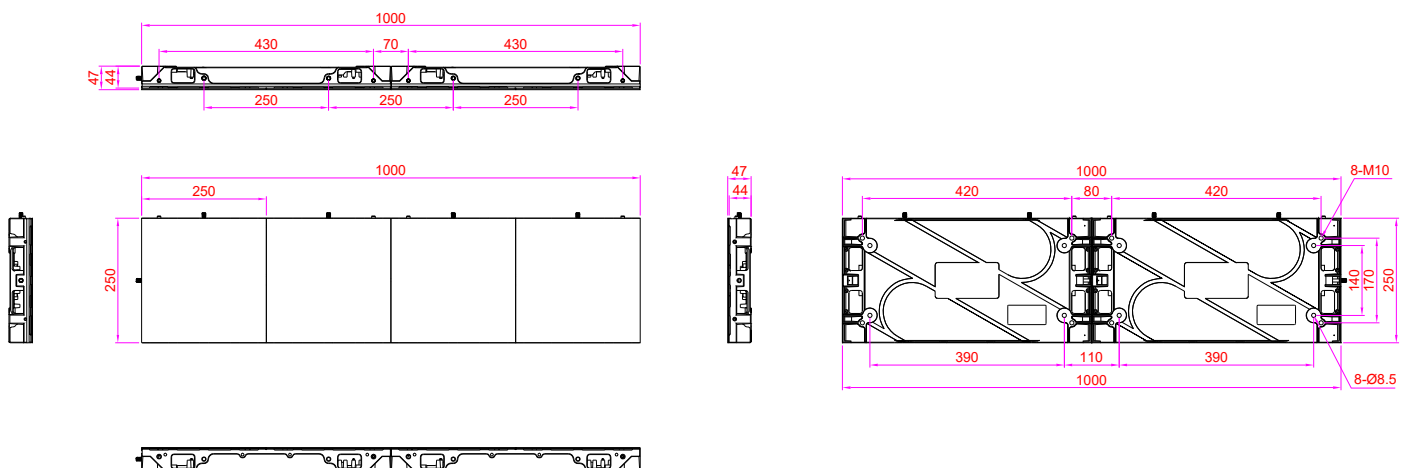
500 X 250 X 47 MM



750 X 250 X 47 MM



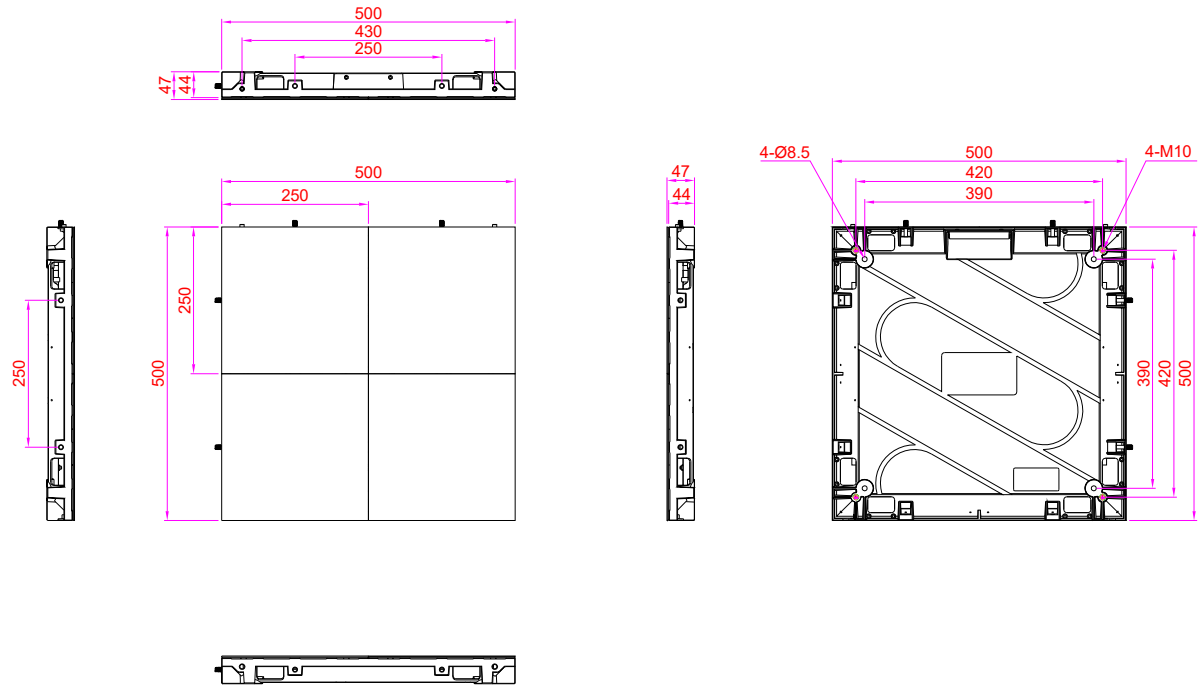
1000 X 250 X 47 MM



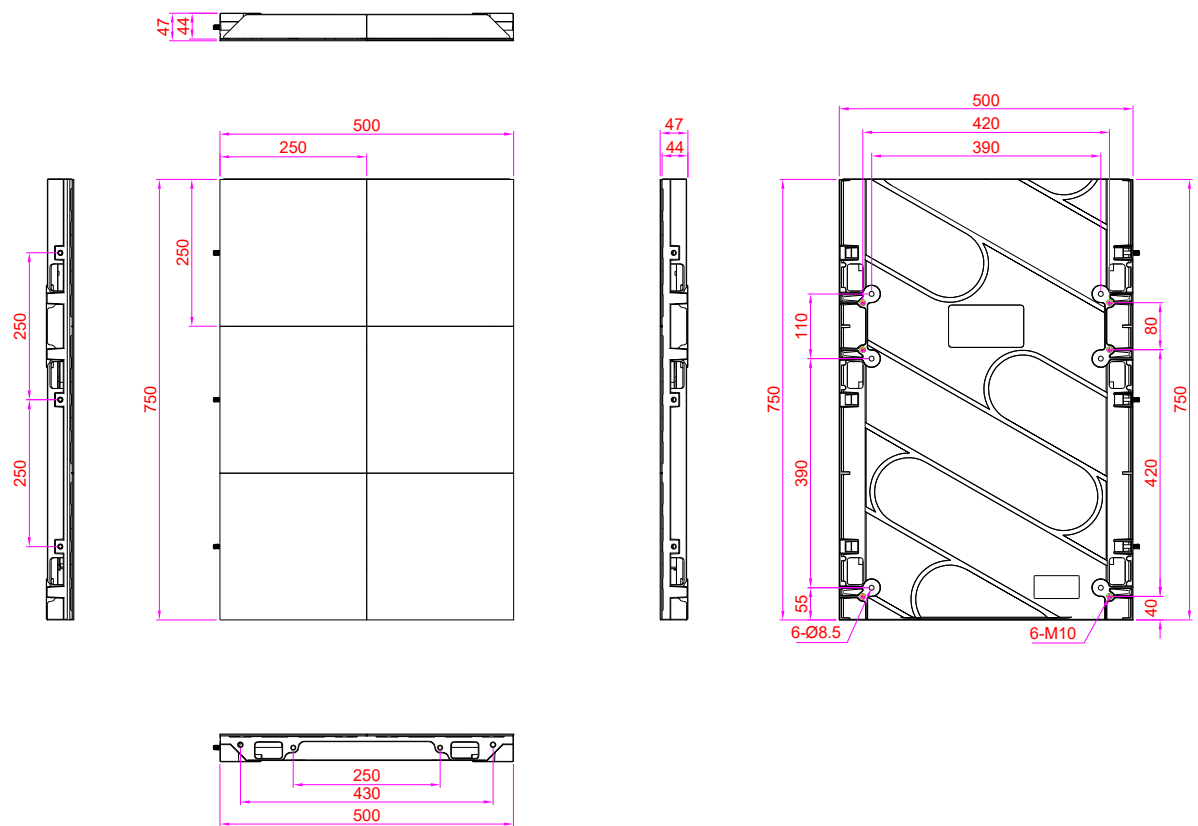


TECHNICAL DRAWINGS 2/3

500 X 500 X 47 MM



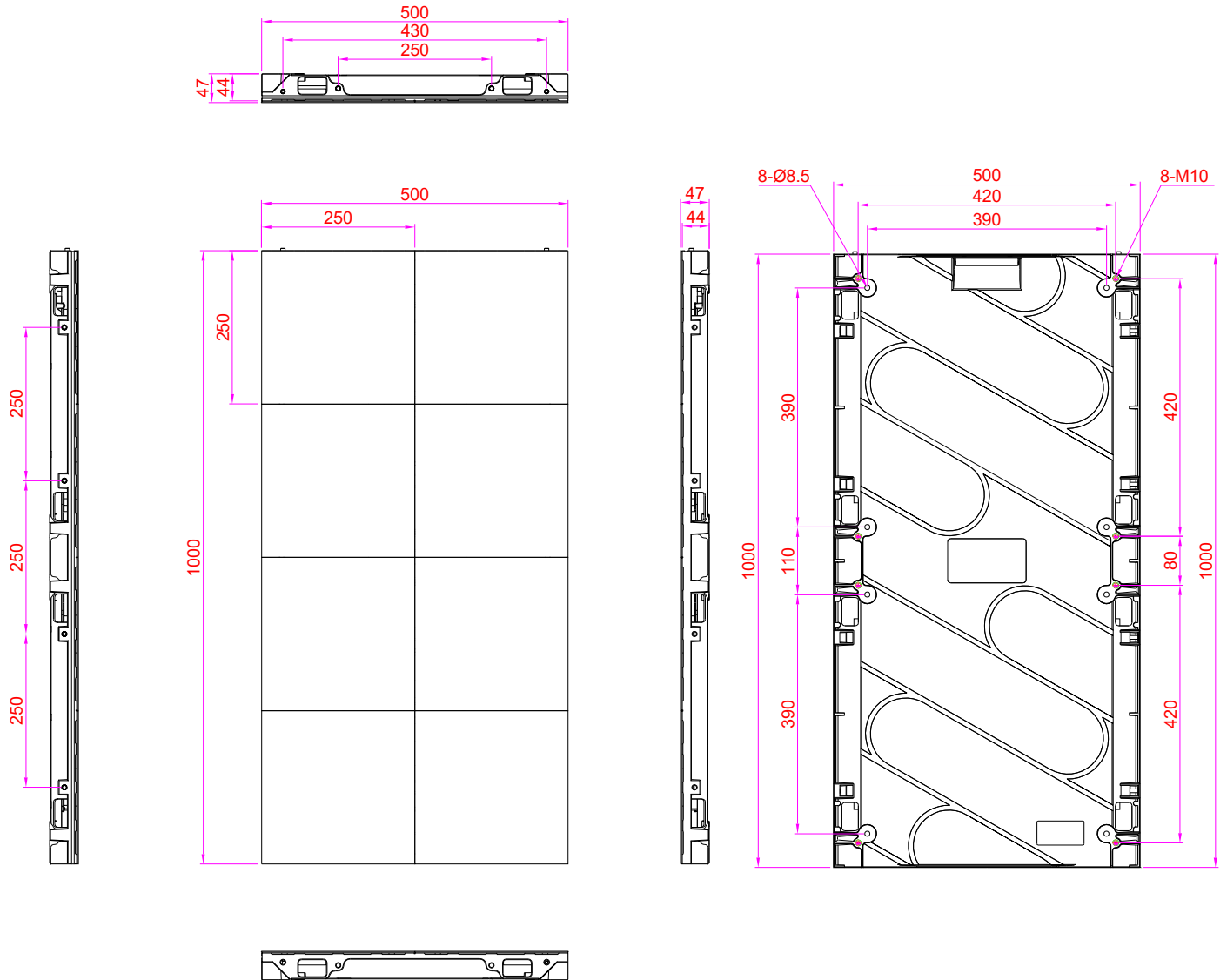
500 X 750 X 47 MM





TECHNICAL DRAWINGS 3/3

500 X 500 X 47 MM





CONTACT

The Artixium regional branches are the key for the growth and development of our global network all over the world. Artixium's team is a spectrum of different nationalities and cultures, reflecting their global presence and mindset, mak-

ing their communication smooth and hassle-free with clients from all around the world. Customer care, Innovation and flexibility has always been our values and we intend to keep this reputation for many years to come.

ARTIXIUM FRANCHISES

"From your project's conception to its completion."



112 Avenue Franklin Roosevelt
69120 Vaulx-en-Velin
France



Artixium Operational Center
518000 Shenzhen
China




Weissensteinstrasse 90b,
46149 Oberhausen
Germany




Merkez Mah. Baglar Cad. A
Blok Apt. No: 14D/13 Kagithane, Istanbul
Turkey




 www.artixium.com

 0 428 001 801

 [linkedin.com/company/artixium](https://www.linkedin.com/company/artixium)

 twitter.com/artixium

 contact@artixium.com

 [youtube.com/@artixium](https://www.youtube.com/@artixium)

 [facebook.com/artixium](https://www.facebook.com/artixium)

 [instagram.com/artixium](https://www.instagram.com/artixium)



Since its creation in 2012 by two european entrepreneurs, Artixium has been evolving and always looking for innovative ways to contribute to the digital transition of our world. It only took a few years for Artixium to become a key player in the LED display industry.

www.artixium.com